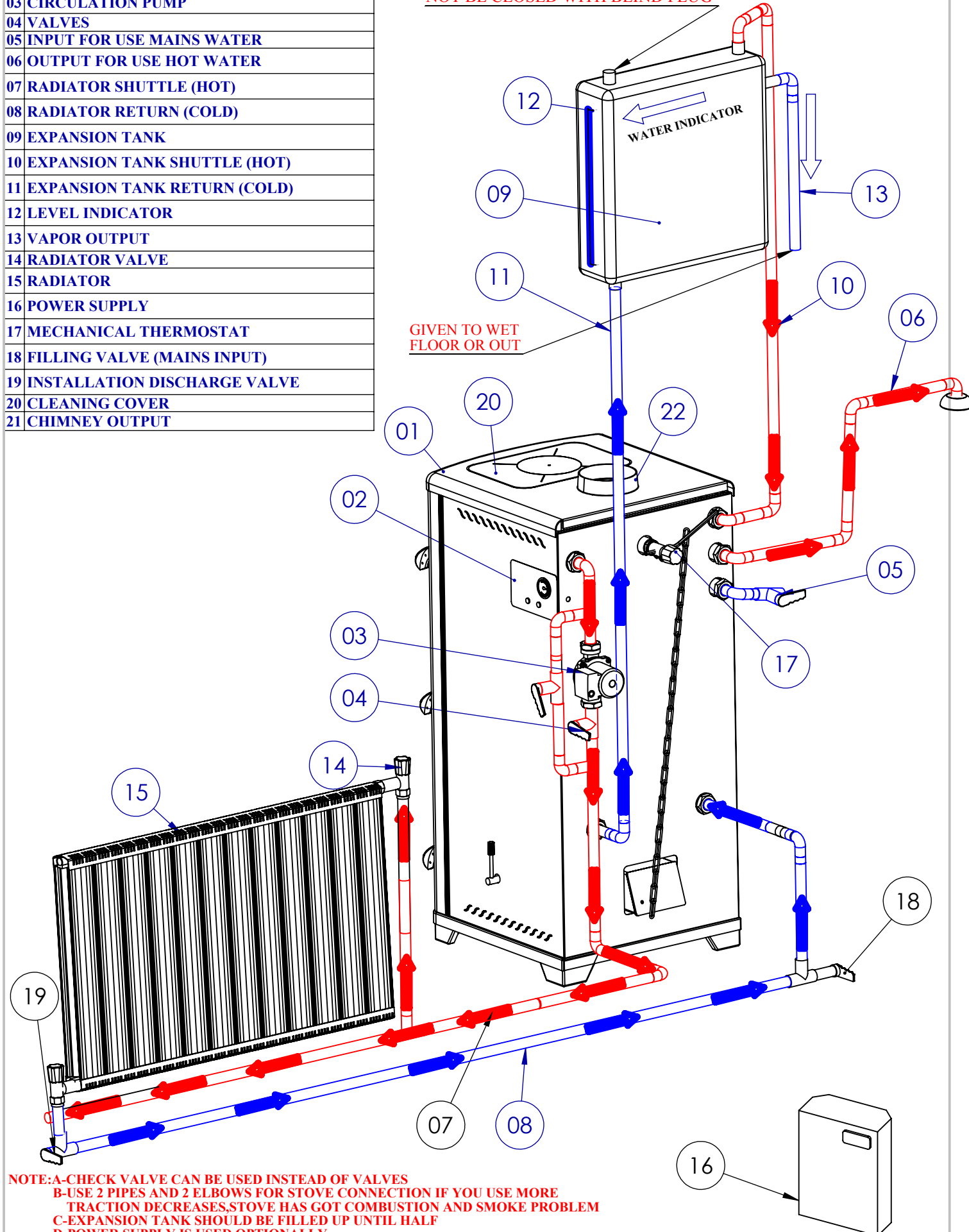


T-25 TF-25 T-29 ASSEMBLY DIAGRAM

01	CENTRAL HEATING STOVE
02	INDICATOR PANEL FOR TEMPERATURE AND ELECTRICITY
03	CIRCULATION PUMP
04	VALVES
05	INPUT FOR USE MAINS WATER
06	OUTPUT FOR USE HOT WATER
07	RADIATOR SHUTTLE (HOT)
08	RADIATOR RETURN (COLD)
09	EXPANSION TANK
10	EXPANSION TANK SHUTTLE (HOT)
11	EXPANSION TANK RETURN (COLD)
12	LEVEL INDICATOR
13	VAPOR OUTPUT
14	RADIATOR VALVE
15	RADIATOR
16	POWER SUPPLY
17	MECHANICAL THERMOSTAT
18	FILLING VALVE (MAINS INPUT)
19	INSTALLATION DISCHARGE VALVE
20	CLEANING COVER
21	CHIMNEY OUTPUT

ORIFICE SHOULD BE OPEN, SHOULD NOT BE CLOSED WITH BLIND PLUG



NOTE:A-CHECK VALVE CAN BE USED INSTEAD OF VALVES
 B-USE 2 PIPES AND 2 ELBOWS FOR STOVE CONNECTION IF YOU USE MORE TRACTION DECREASES,STOVE HAS GOT COMBUSTION AND SMOKE PROBLEM
 C-EXPANSION TANK SHOULD BE FILLED UP UNTIL HALF
 D-POWER SUPPLY IS USED OPTIONALLY
 E-CLEAN STOVE AND PIPES IN A WEEK
 F-DISCHARGE THE ASHTRAY EVERYDAY
 G-USE 1/3 ANTIFREEZE
 H-IF USE HOT WATER IS USED CLOSED CIRCUIT,THERMOSTATICAL SAFETY VALVE SHOULD BE USED. OTHERWISE, OUR COMPANY IS NOT RESPONSIBLE FOR DAMAGES THAT CAN BE OCCUR