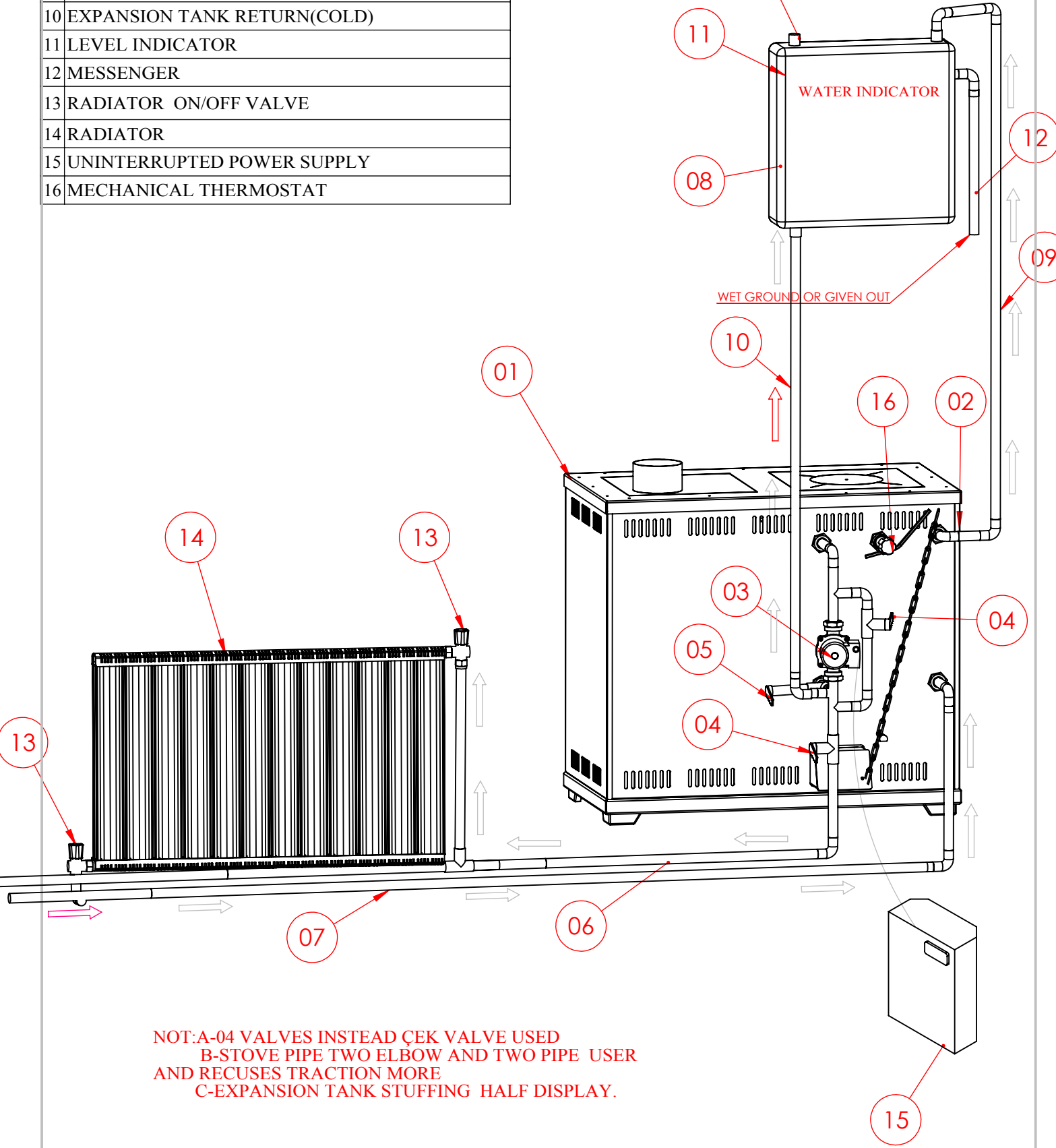


T22 ASSEMBLY DIAGRAM

01	BOILER STOVE
02	THERMOMETER-THERMOSTAT
03	CIRCULATION PUMP
04	VALVES
05	INTRODUCTION TO COLD WATER SUPPL VALVE
06	RADIATOR SHUTTLE (HOT)
07	RADIATOR RETURN (COLD)
08	EXPANSION TANK
09	EXPANSION TANK SHUTTLE (HOT)
10	EXPANSION TANK RETURN(COLD)
11	LEVEL INDICATOR
12	MESSENGER
13	RADIATOR ON/OFF VALVE
14	RADIATOR
15	UNINTERRUPTED POWER SUPPLY
16	MECHANICAL THERMOSTAT

MOUTH MUST BE OPEN
THE BLIND PLUG NOT COVERED

WET GROUND OR GIVEN OUT



NOT:A-04 VALVES INSTEAD ÇEK VALVE USED
B-STOVE PIPE TWO ELBOW AND TWO PIPE USER
AND RECUSES TRACTION MORE
C-EXPANSION TANK STUFFING HALF DISPLAY.