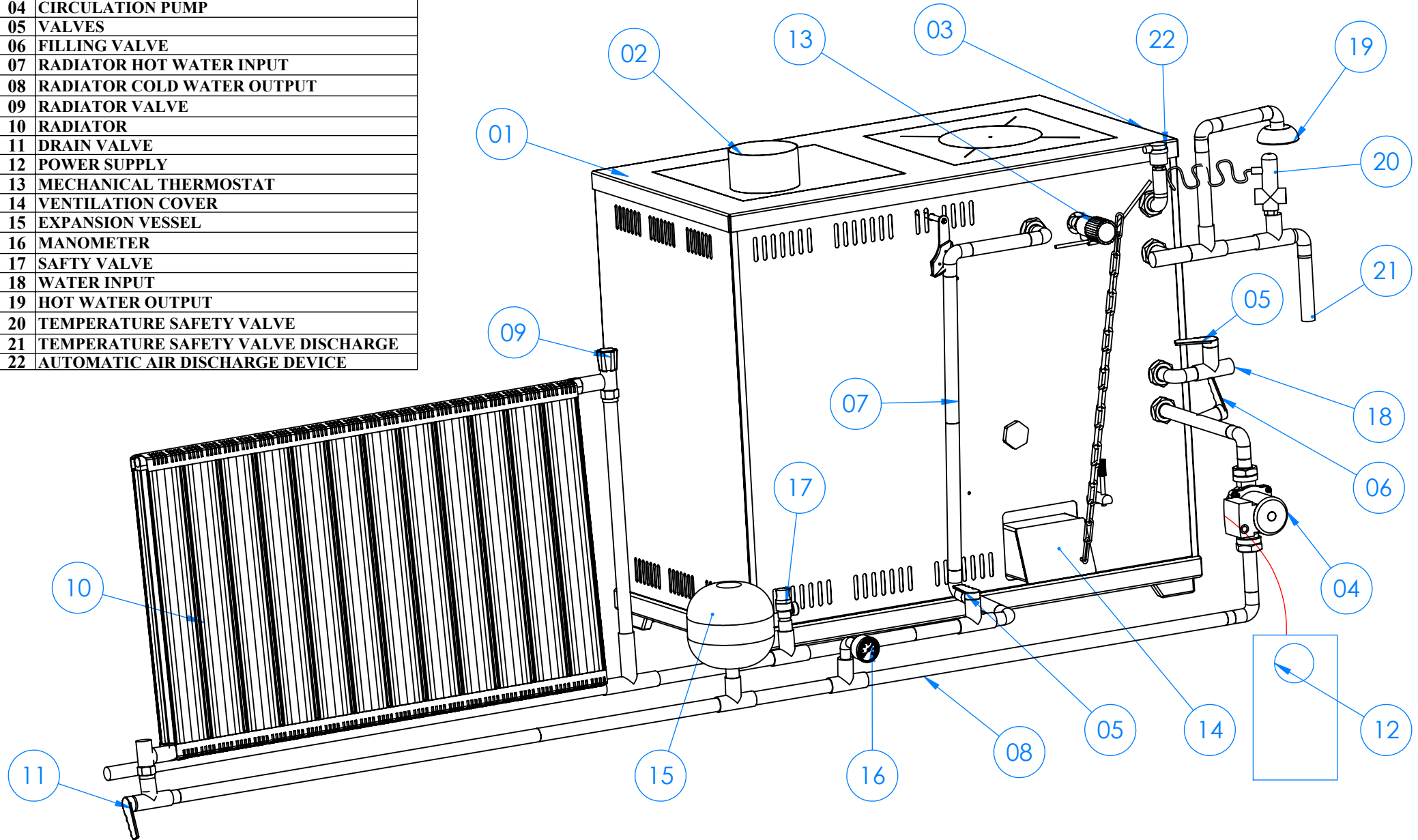


T-22 ASSEMBLY DIAGRAM

01	CENTRAL HEATING STOVE
02	CHIMNEY OUTPUT
03	ELECTRICITY AND TEMPERATURE INDICATOR
04	CIRCULATION PUMP
05	VALVES
06	FILLING VALVE
07	RADIATOR HOT WATER INPUT
08	RADIATOR COLD WATER OUTPUT
09	RADIATOR VALVE
10	RADIATOR
11	DRAIN VALVE
12	POWER SUPPLY
13	MECHANICAL THERMOSTAT
14	VENTILATION COVER
15	EXPANSION VESSEL
16	MANOMETER
17	SAFTY VALVE
18	WATER INPUT
19	HOT WATER OUTPUT
20	TEMPERATURE SAFETY VALVE
21	TEMPERATURE SAFETY VALVE DISCHARGE
22	AUTOMATIC AIR DISCHARGE DEVICE



THIS DRAWING IS A SAMPLE, IT CAN BE CHANGED ACCORDING TO THE PLACE WHERE IT IS INSTALLED. PRODUCT MUST BE INSTALLED BY AN AUTHORIZED PERSON.